

EE-62BE.42T

4.2 Ton 2 Post Base Plate Hoist - Electronic Controls



- » 4.2 Ton lifting capacity
- » Lifting height of 1.9m plus 4WD adapters
- » Base plate design
- » Durable charcoal Hammertone powder coat finish, with orange arms
- » Full electronic controls
- » Aluminium power unit
- » One piece column
- » Door protection pads
- » Curtain inside column
- » Combination screw pads plus 4WD adapters
- » 5 Years Structural, 2 Years electrical, parts & labour warranty
- » Certified to Australian Standards and design registered with Worksafe
- » Optional EV charging station

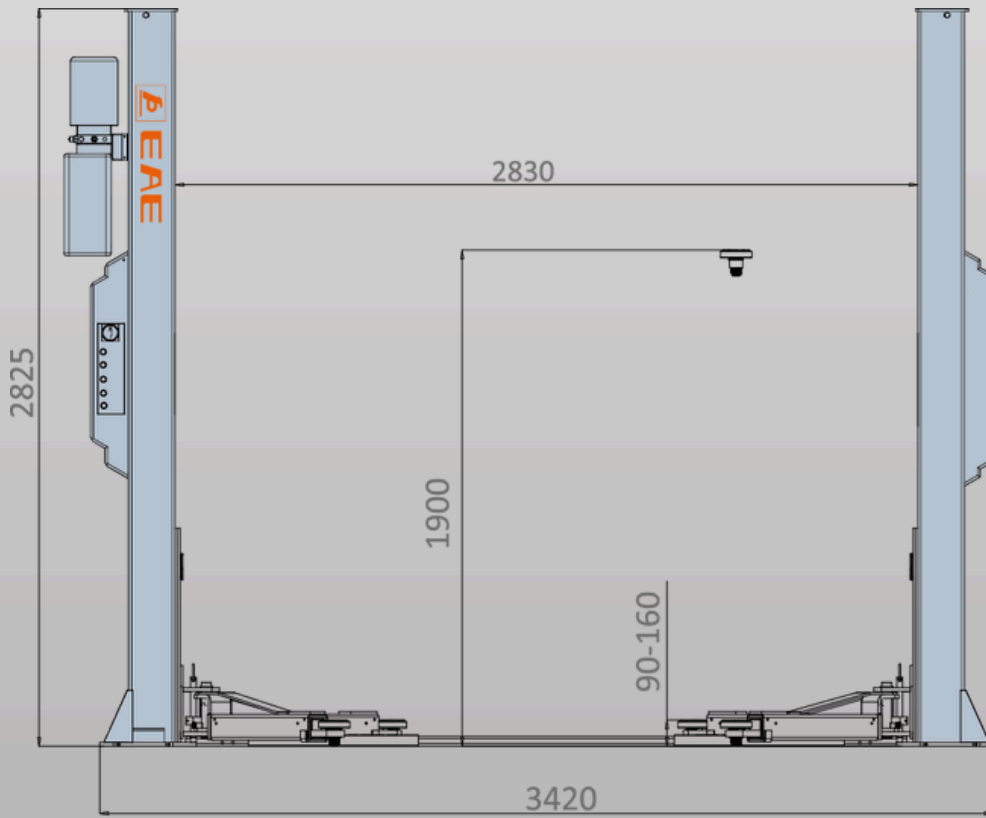
INCLUSIONS



OPTIONS



EE-62BE.42T



Minimum Concrete Requirement	150mm
Recommended Ceiling Height	3.25m
Power Requirements	240v
	2.2kw 16 amps
	3 phase
	3.5kw 9 amps
	Fast motor
	No neutral required
Freight Dimensions	290 x 48 x 105cm
	650kg

